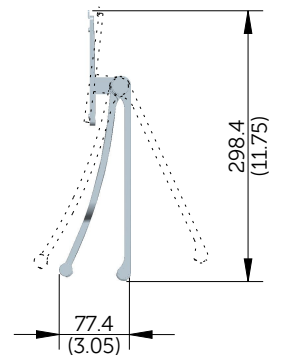
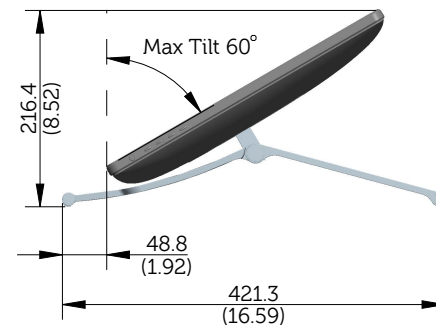
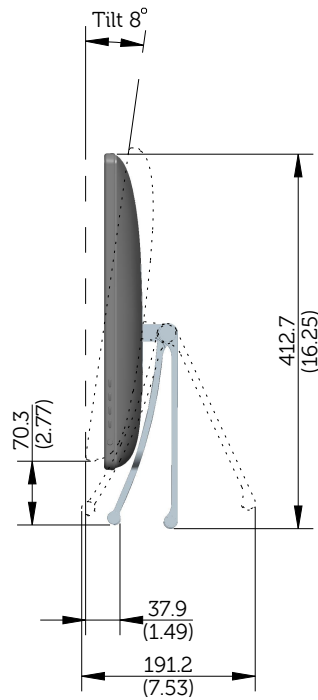
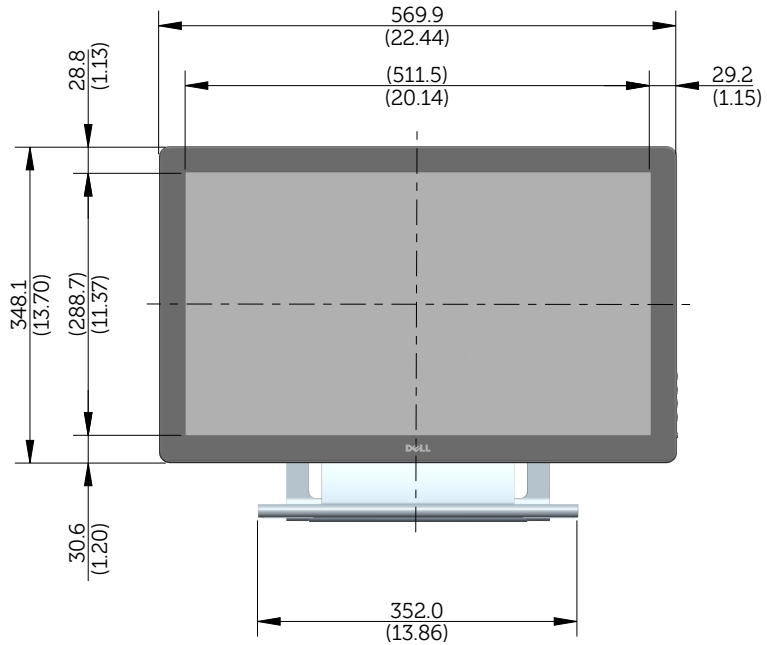
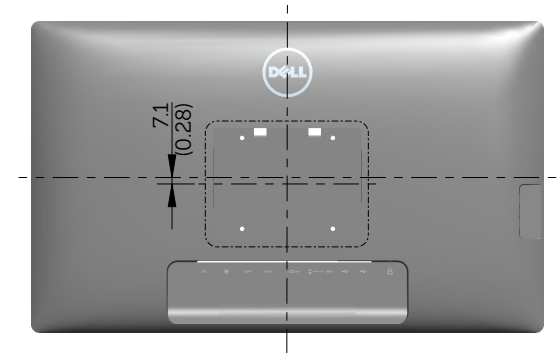
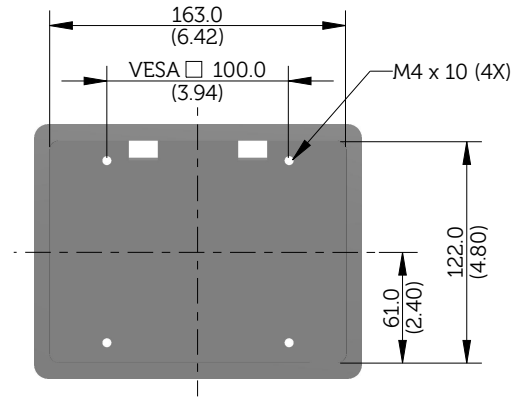
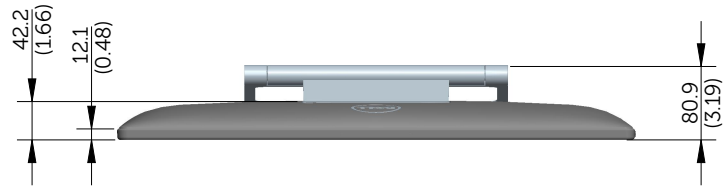


# P2314T Outline Dimensions

Nominal Dimensions  
Unit: mm(inch)



# P2714T Outline Dimensions

Normal Dimensions  
Unit:mm(inch)

